



Engineered to Deliver

1-800-501-1587
WWW.TRACRAC.COM

IN-30000_B

T-RAC G2

Installation Instructions

TracRac Inc.
994 Jefferson St.
FallRiver MA 02721
www.tracrac.com
800-501-1587



Engineered to Deliver

1-800-501-1587
WWW.TRACRAC.COM

Thank you for your purchase of a T-Rac G2 cargo rack from TracRac®. TracRac® takes great pride in the quality and workmanship we put into every product. We designed the T-Rac G2 specifically to meet your cargo management needs and it will do just that. With 800 lbs of load capacity and its heavy-duty aluminum construction you can be sure this rack can handle all of your gear.

To get started, please take a minute to reference the packing list and ensure that all of the components of your T-Rac G2 are in the package. The installation should take you approximately 45 mins.

TABLE OF CONTENTS:

T-Rac G2 Accessories	Page. 2
Installation Overview	Page. 3
Hardware Contents	Page. 4
Upright Assembly	Page. 5
Cross Bar Assembly	Page. 6
Clamp and Truck Installation	Page. 7
Toolbox Installation	Page. 8
Toyota Tacoma Installation.....	Page. 9-10
Warranty	Page. 11
Product Registration	Page. 12-13

PLEASE *DO NOT FORGET* TO FILL OUT YOUR PRODUCT REGISTRATION CARD IN THE BACK OF THE INSTRUCTIONS PACKET OR ONLINE AT WWW.TRACRAC.COM.

By completing (this form or on tracrac.com) and returning your PRODUCT REGISTRATION CARD you will receive these important benefits:

WARRANTY CONFIRMATION:

Your prompt product registration confirms your right to the protection available under terms and conditions of your TracRac warranty.

PRODUCT PROTECTION:

We will keep the model number and date of purchase of your TracRac product on file to help refer to this information in the event of a product warranty issue.

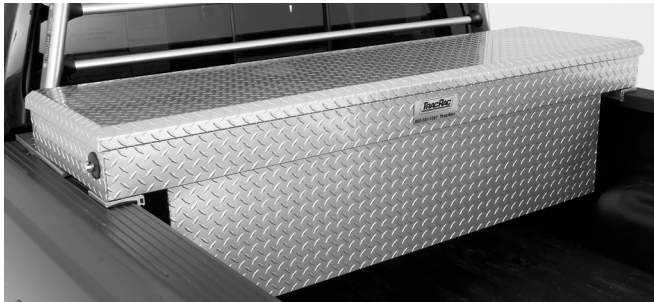
 Please follow these instructions carefully. Ensure that bolts are torqued to the specified rating and ensure that all diagramed and instructed relative distances for components are met. Failure to do so will waive the warranty.

Accessories



Engineered to Deliver

1-800-501-1587
WWW.TRACRAC.COM



TracBox - Full size, TracRac Silver Powder Coat Finish, Crossover Toolbox.

Features:

- Weatherproof Seals
- Dual Push Button Shocks
- Heavy Duty Gas Shocks
- 2 Stage Rotary Latch
- Foam Filled Lid
- 5 Compartment Sliding Tray

Dimensions:

- L: 70 in. W: 20 in. H 20 in.



Kayak Rack Kit - Complete with all of the mounting hardware. The Kayak Kit has felt lined rear saddles and rubber front saddles for easy loading and a secure fit.

Plastic Loop Tiedowns
Qty: 2 Tiedowns



Bike Mount - the bike mount works with all bicycles with a removable front tire.



Aluminum Die-Case CrossBar Tiedowns
Qty: 2 Tiedowns

Part #	Description
25250	TracBox - Full Size, Crossover, Powder Coated Toolbox
41000	Toolbox Mount Kit
25110	Aluminum Crossbar Tiedowns (Qty: 2)
44400	Plastic Loop Crossbar Tiedowns (Qty: 4)
44300	Kayak Mount Kit
25411	Bike Mount Kit



Engineered to Deliver

1-800-501-1587

WWW.TRACRAC.COM

Installation Instructions

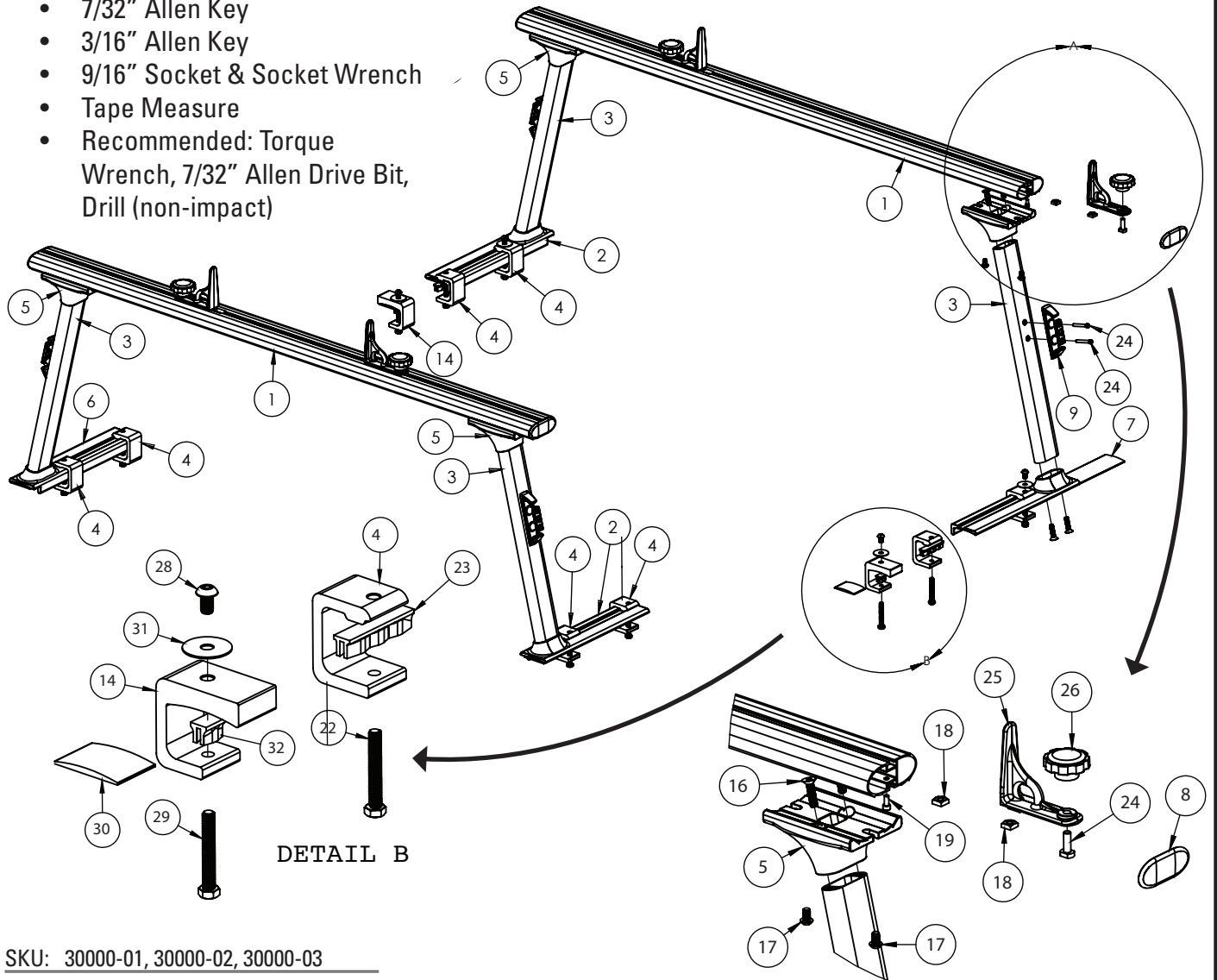
These instructions will guide you through the 3 main component assemblies:

1. Upright units
2. Cross bars
3. Clamp units

Please reference the drawing below for a general overview.

Tool you will need:

- 7/32" Allen Key
- 3/16" Allen Key
- 9/16" Socket & Socket Wrench
- Tape Measure
- Recommended: Torque Wrench, 7/32" Allen Drive Bit, Drill (non-impact)



SKU: 30000-01, 30000-02, 30000-03

ITEM NO.	PART NUMBER	DESCRIPTION	01/QTY.
1	01-30008-01,02	P/C.DOUBLE T-SLOT CROSSBAR, ROUTERED	2
2	01-30009	ASM. UPRIGHT BASE, LF/RR	2
3	01-30001-01,02,03	ASM. MODULAR UPRIGHT, T-RAC	4
4	01-27029	P/C. TB FRONT MOUNT	8
5	01-27012	P/C. MODULAR SADDLE	4
6	01-30010	ASM. UPRIGHT BASE, RF/LR	2
7	RX-11034-3	SHIM, ROUNDED	4
8	01-27023	P/C. DOUBLE/TRIPLE CROSSBAR ENDCAP	4
9	01-27046	P/C. UPRIGHT CLEAT	4
10	01-27015	HARDWARE BAG - CLAMPS	1
11	01-27016	HARDWARE BAG - UPRIGHT/SADDLE	1
12	01-22757	CROSSBARTIEDOWN BAG (2 PAIR)	1
13	01-30005	HARDWARE BAG - CLEATS	1
14	01-27032	P/C. TB REAR MOUNT	2
15	01-30006	HARDWARE BAG - TB MOUNT	1

DETAIL A

SKU:

Signature:

Date:

Hardware

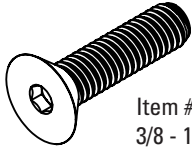


Engineered to Deliver

1-800-501-1587
WWW.TRACRAC.COM

01-27016 Hardware Bag-1

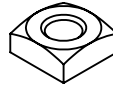
Upright/Saddle Hardware



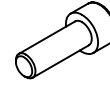
Item # 16
3/8 - 16 x 1.5"
Flat Head Cap Screw (FHCS)
Qty - 16



Item # 17
3/8 - 16 x .625"
Button Head Cap Screw (BHCS)
Qty - 8



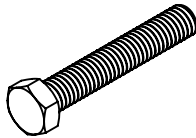
Item # 18
3/8 - 16
Square Nut
Qty - 8



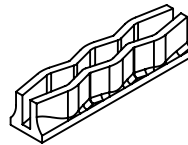
Item # 19
M6-1
Socket Head Cap Screw (SHCS)
Qty - 4

01-27015 Hardware Bag-2

Clamp Hardware



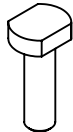
Item # 22
3/8 - 16 x 2.5"
Hex Head Cap Screw (HHCS)
Qty - 8



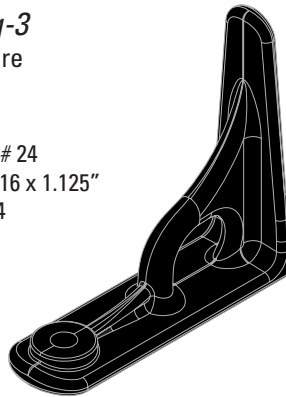
Item # 23
3.0"
U - Channel
Qty - 8

01-22757 Hardware Bag-3

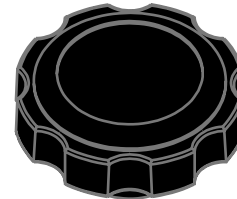
Aluminum Tie-down Hardware



Item # 24
3/8 - 16 x 1.125"
Qty: 4



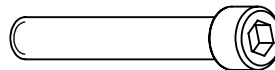
Item # 25
Die-Cast Aluminum Crossbar Tiedown
Qty:4



Item # 26
Tiedown Knob
Qty:4

01-30005 Hardware Bag-4

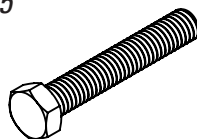
Aluminum Cleat Hardware



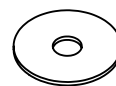
Item # 27
1/4-20x 1.75"
Socket Head Cap Screw (SHCS)
Qty - 8

01-30006 Hardware Bag-5

Toolbox Mount Kit



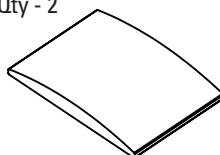
Item # 29
3/8 - 16 x 2.5"
Hex Head Cap Screw (HHCS)
Qty - 2



Item # 31
3/8 - .045
Stainless Steel Washer
Qty - 4



Item # 28
3/8 - 16 x .625"
Button Head Cap Screw (BHCS)
Qty - 4



Item # 30
Plastic Shim
Qty - 2



Item # 32
7/8"
Clamp Foot
Qty - 2



Engineered to Deliver


1-800-501-1587
WWW.TRACRAC.COM

Part 1 - Uprights

Step 1

Upright Assembly

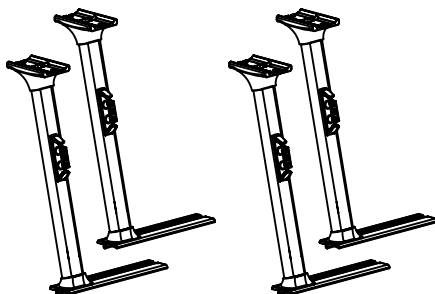
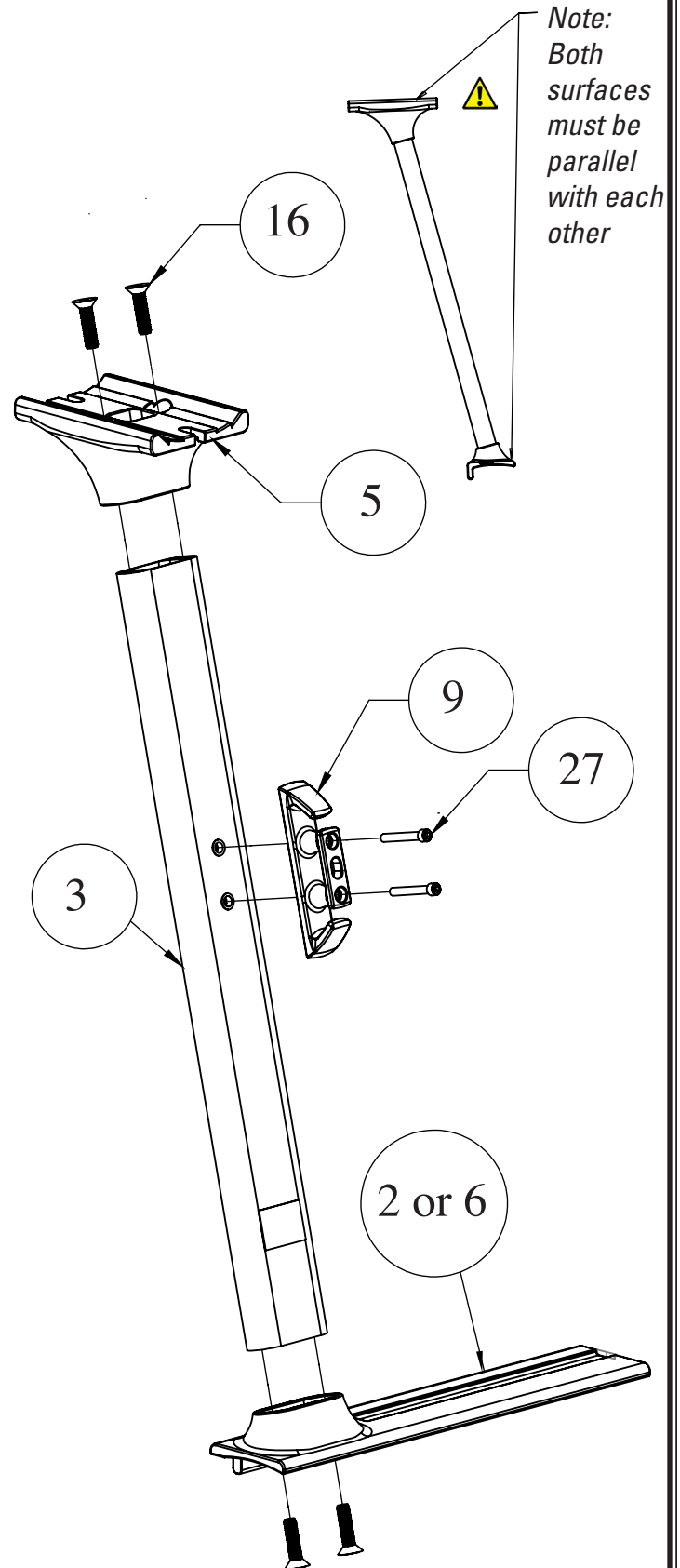
1. First take the upright (Item 3) and insert it into a modular saddle (Item 5).
2. Bolt the saddle through the top by using two 3/8"-16 FHCS (Item 16) and tighten using a 7/32" Allen Key (or 7/32" Allen Drive Bit) **Torque the 3/8" -16 FHCS to 32 ft-lbs.** We recommend threading both flat head cap screw initially by hand to ensure that you don't cross thread the bolt.

 **When tightening the 3/8" FHCS ensure that the Allen Key is fully seated in the bolt so that it will not strip**

3. Now take the upright and saddle and bolt it to the modular base (Item 2)
4. For the other front upright repeat steps one through four, except use Item 6 in Step 3.

NOTE: Item 2 and Item 6 are mirror images of each other. Reference the packing checklist to confirm what part to use.

5. Repeat Steps 1-4 on the rear uprights
6. With the upright, saddle and base assembled, secure one of the upright cleats (Item 9) with two 1/4"-20 SHCS (Item 27) to the upright. **Torque the 1/4"-20 SHCS to 6 ft-lbs.**
7. Repeat Step 7 on each of the uprights.



When Step 1 is complete, you will have 4 uprights.

Part 2 - Cross Bars



Engineered to Deliver

1-800-501-1587
WWW.TRACRAC.COM

Step 2

Crossbar Assembly

1. Take the double T-Slot crossbar (Item 1) and insert four square nuts (Item 18) into the bottom T-Slot. **Reference Figure 2.1, 2.2 & 2.3**
2. Insert a T-bolt (Item 24) through the bottom of the cross bar tie-down (Item 25) and slide the unit into the top track of the crossbar so that both the bolt and the tiedown are locked into the t-track.
3. Thread a crossbar tiedown knob (Item 26) onto the T-Bolts (Item 24) and tighten in a desired location. Repeat with the other tiedown so that they face one another as in Figure 2.1.
4. Insert the Crossbar End Cap with the flat mounting surface facing down into the end of the crossbar. Using the clearance hole on the bottom of the crossbar and the M6 SHCS (Item 19). Tighten down the M6 SHCS using the 3/16" Allen Key. Repeat on the opposite side. Reference Figure 3.1
5. Repeat steps 1-4 for the remaining crossbar.

Figure 2.1

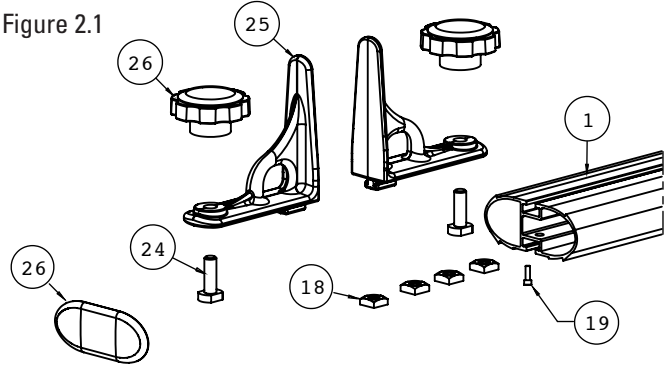


Figure 2.3

Crossbar End View

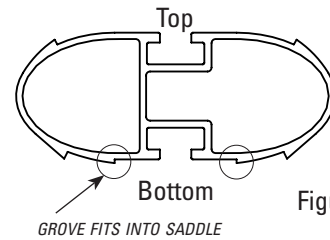


Figure 2.2

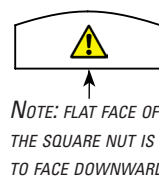
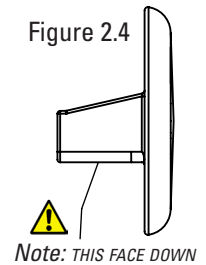


Figure 2.4



Step 3

Front & Rear Crossbar Installation

1. Now place the assembled crossbar on top of the assembled uprights. Make sure the crossbar is right side up. Reference Figure 2.3
2. Slide the Square Nuts (Item 18) so that they are directly above the slotted hole in the saddle. Insert the 3/8 BHCS (Item 17) into the Square Nuts (Item 18) and tighten the cap screws, using a 7/32" Allen Key or (7/32" Allen Drive Bit) Do not fully torque the screws until Step 8 of the Truck Installation
Note: Make sure that the BHCS sits completely within the recessed area of the saddle casting. See Figure 3.2
3. Repeat Steps 1 and 2 for the opposite upright.
4. Repeat Steps 1-3 for the remaining crossbar.

Figure 3.1

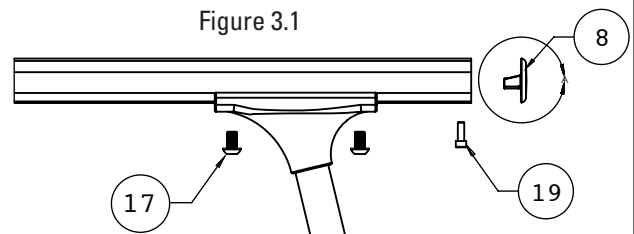
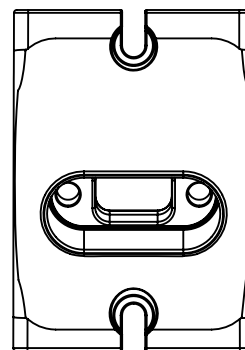


Figure 3.2



Part 3 - Clamps & Truck Installation

Step 4

⚠ We recommend that you apply Loc-Tite (red) to any thread that is engaged with the clamp.
⚠ HHCS (Item 22) should be re-torqued every 5000 miles.

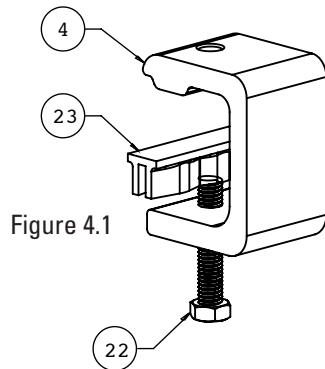


Figure 4.1

Base Clamp Assembly

1. Take a TB Front Clamp (Item 4) and thread a 3/8"-16 HHCS (Item 22) through the bottom as shown.
2. Now take a C channel clamp foot (Item 23) and place it on top of the 3/8" HHCS as shown.
3. Repeat steps one and two for the remaining seven clamps.

⚠ Note: clamp feet must be used to ensure proper tension between the rack and the truck bed and prevent damage

Step 5

NOTE: BE SURE TO KEEP THE RUBBER SHIM UNDER THE BASE WHEN TIGHTENING THE CLAMPS

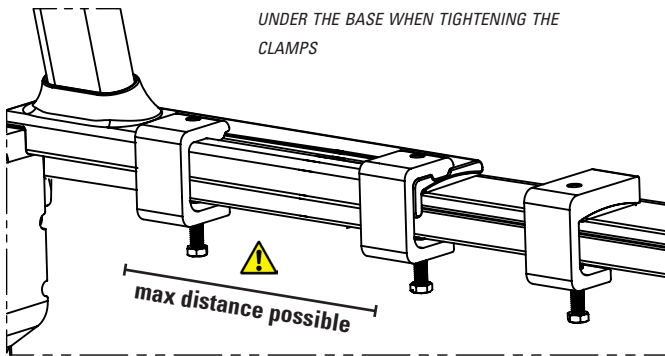


Figure 5.1

Front Upright and Base Clamp Assembly

1. Now take the rounded shims (Item 7) and place them on the sidewalls of you truck approximately where the uprights will sit.

The front uprights will be directly behind the rear window. Place the unit as far forward as possible

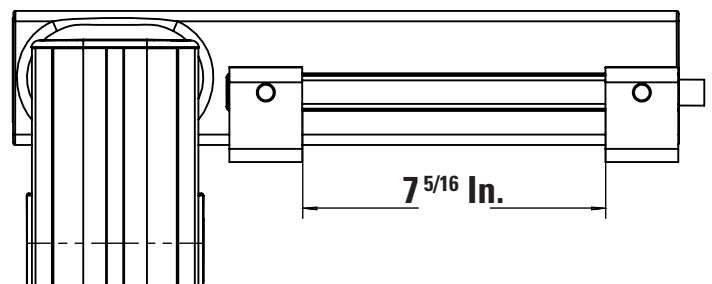
2. Place the front uprights on top of the rounded shims (Item 7) making sure that the rubber shims are completely under the bases.
3. With one pair of uprights now on the truck, they must be secured using two Modular Clamps (Item 4). When positioning the clamps make sure they are **spaced as far apart as possible**.
4. First torque the clamps on either side of the rack towards the cab, then follow with the other two clamps towards the rear of the truck. **Torque down the HHCS to 14 lb-ft using a 9/16" socket and a torque wrench.**

Rear Upright and Base Clamp Assembly

The rear uprights should sit as far towards the tailgate as possible without the base hanging off the back of the bed rail, while maximizing the distance between the clamps (note step 6)

5. Place the rear uprights on top of the rounded shims (Item 7) making sure that the rubber shims are completely under the bases.
6. With the second pair of uprights now on the truck they must be secured using two of the previously assembled (Item 4) clamps (2 per upright). When positioning the clamps make sure they are **spaced at least 7 5/16 inches apart. Any less of a distance will reduce the load capacity of the rack. You may adjust the position of the rack on the bed to ensure that this distance can be achieved**
7. Repeat step 4
8. Finally with the uprights secured you now want to take a measuring tape and center your crossbars. Once centered use your 7/32" Allen Driver to fully secure your crossbars. **Torque the BHCS to 27 ft-lbs.**

⚠ When tightening the 3/8" button head cap screws ensure that the Allen Driver is fully seated in the bolt so that it will not strip



Part 4 - Toolbox Mount



Engineered to Deliver

1-800-501-1587
WWW.TRACRAC.COM

If you have a toolbox, we have included a damage-free toolbox as a *complimentary accessory* for your T-Rac G2. The following instruction will guide you through mounting your toolbox. If you do not have a toolbox, please keep the mounts in case you decide to add one later on.

1. First, take on of the TB Rear Mounts (Item 14) and thread a 3/8"-16 HHCS (Item 29) in through the bottom of the clamp. (Figure 6.1)
2. Take the C-Channel Clamp Foot (Item 32) and place it on top of the 3/8" HHCS (Figure 6.1)
3. Repeat Steps 1 & 2 for the opposite TB Rear Mount.
4. Place the Rounded Shims (Item 30) on the sidewall of your truck, approximately 4" to 5" behind the upright bases as illustrated (Figure 5.1)
5. Mount the assembled clamps (Step 1-3) onto the rounded shims and **torque down the HHCS to 14 lb-ft using a 9/16" socket and torque wrench.**
6. Place your toolbox on top of the clamps and secure it by using the 3/8" washer (Item 31) and the 3/8"-16 BHCS (Item 28). **Torque the BHCS to 27 ft-lbs.**

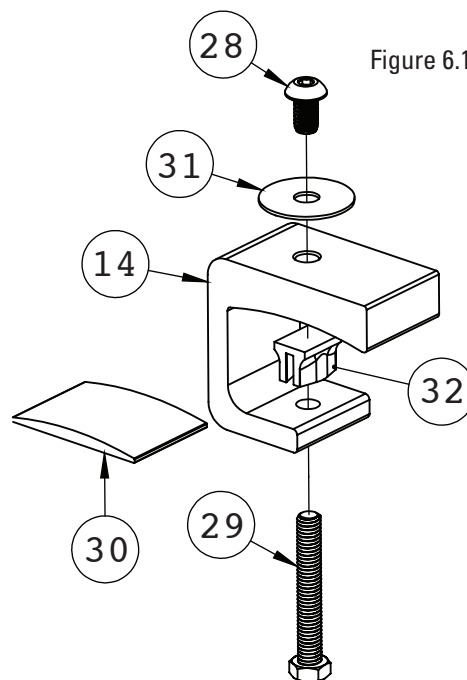


Figure 6.1

⚠ Note: When positioning the toolbox, please note that there is sufficient clearance for the lid to open so that it does not scratch the uprights.

⚠ IMPORTANT: If your toolbox does not come with pre-drilled holes/slots that line up with the threaded clamps, you will need to position you toolbox in the desired location, mark the necessary hole locations, remove the toolbox and then drill either a 13/32" or 7/16" clearance hole. After the holes are drilled you will be able to mount your toolbox.

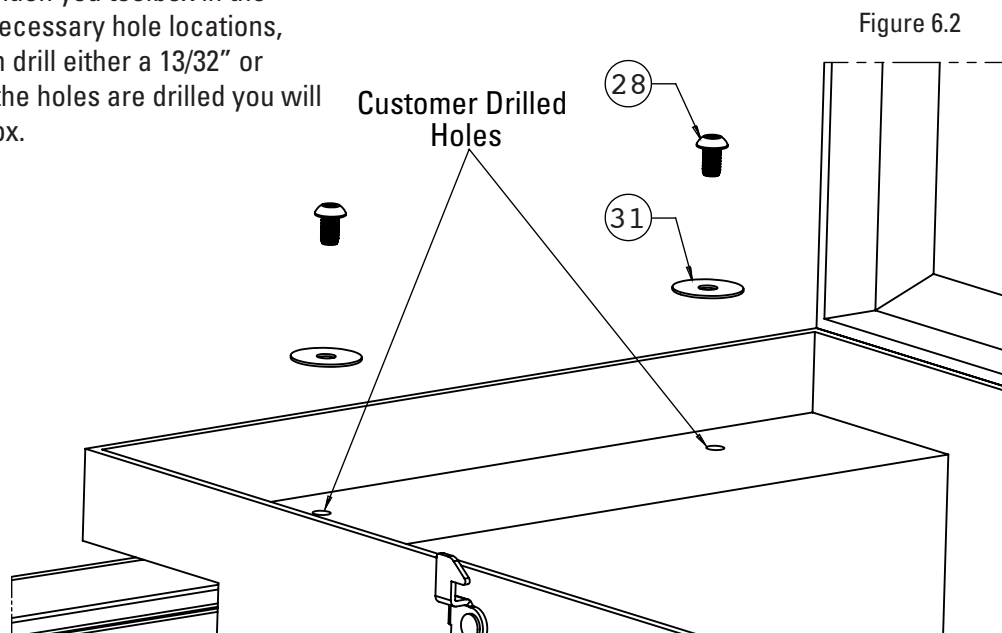


Figure 6.2



Engineered to Deliver

1-800-501-1587

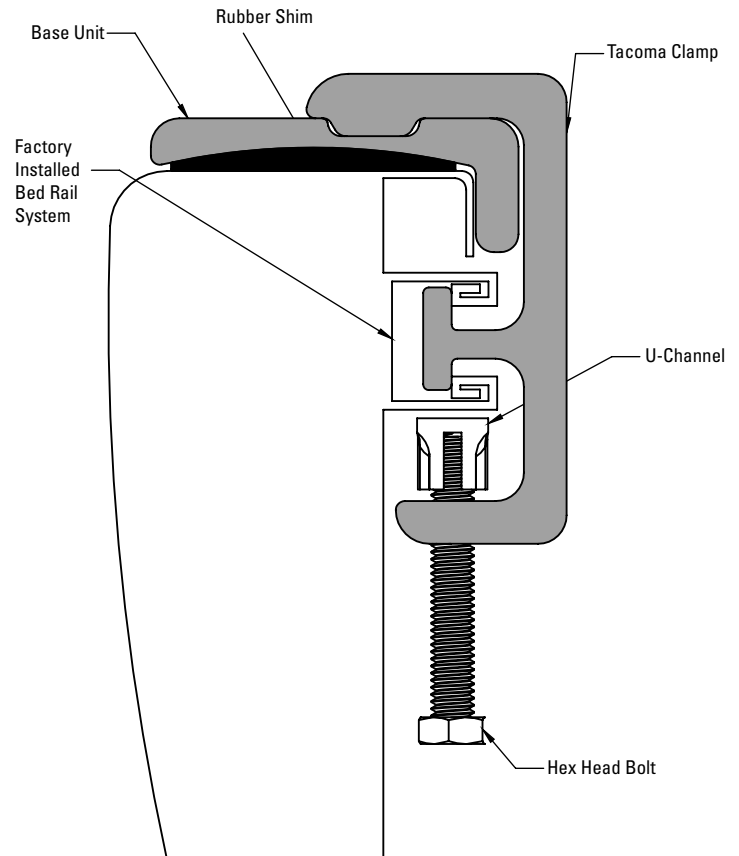
WWW.TRACRAC.COM

Toyota Tacoma Mount Installation

Tacoma Installation (Clamp Set)

1. Remove the plastic end-caps from the factory installed rails, front and back.
2. Take the Tacoma mount clamp and partially thread a 3/8"-16 hex head cap screw through the tapped hole located on the bottom of the clamp.
3. Slide two clamps into each factory installed rail from the back end of the truck and replace the rear end-caps.
4. Slide two clamps into each factory installed rail from the front end of the truck and replace the front end-caps.
5. With the clamps retained in the track now slide 2 of them on each upright base, the clamps should be spaced as far a part as possible.
6. With the base in the desired location place a 3" U channel on top of the hex head cap screws. Reference the placement of the uprights from the included installation book.
7. Torque the hex head cap screws down to 14 lb-ft using a 9/16" open end wrench.

- *Note: The 3" U Channel and 3/8"-16 Hex Head Cap Screw are included with the original rack hardware.*



Toyota Tacoma Toolbox Installation

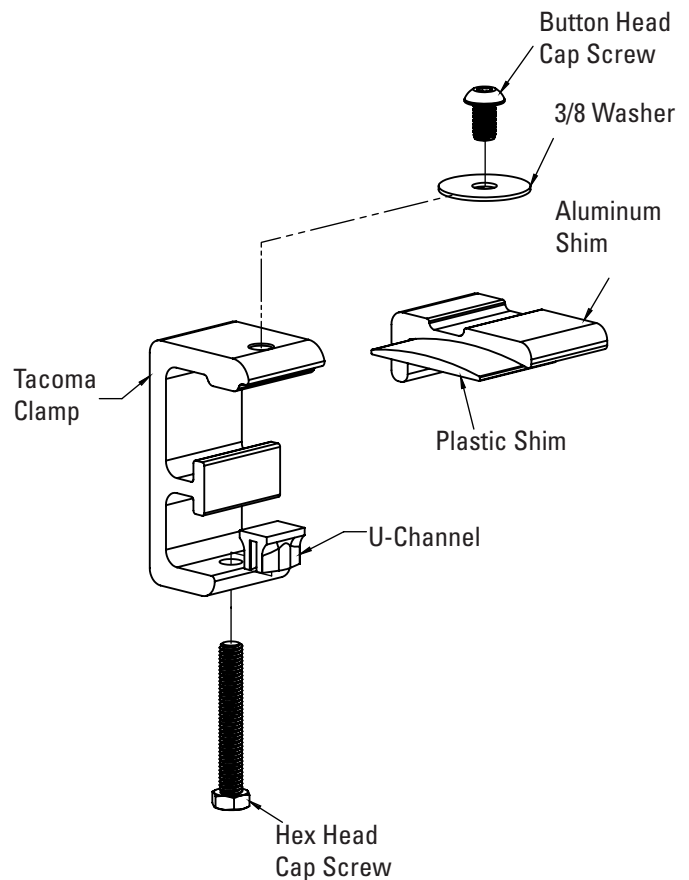


Engineered to Deliver

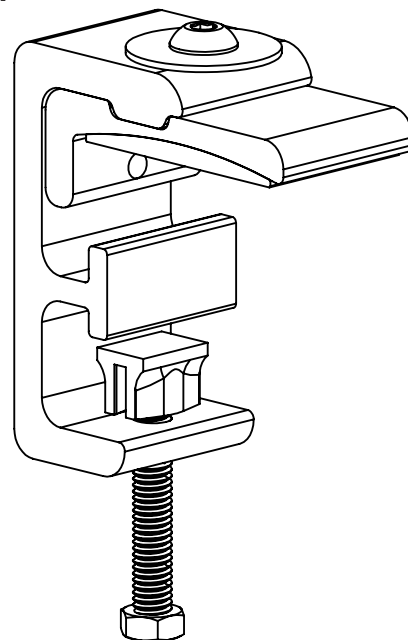
1-800-501-1587
WWW.TRACRAC.COM

1. Remove the plastic end-caps from the factory installed rails, front and back.
2. Take the Tacoma Tool Box Mount Clamp and partially thread a 3/8" -16 hex head cap screw through the tapped hole located on the bottom of the clamp.
3. Slide two clamps into each factory installed rail from the back end of the truck and replace the rear end-caps.
4. Slide three clamps into each factory installed rail from the front end of the truck and replace the front end-caps.
5. With the clamps retained in the track now slide 2 of them on each upright base, with the base in the desired location place a 3" U channel on top of the hex head caps screws.
6. Place a rubber shim and tool box shim under the two remaining clamps along with a 7/8" U channel on top of the hex head caps screws.
7. Torque the hex head cap screws down to 14 lb-ft using a 9/16" open end wrench.
8. Follow the remaining steps in Part 4 of directions above to install the toolbox.

- *The 3" U Channel and 3/8"-16 Hex Head Cap Screw are included with the original rack hardware.*



When Complete





1-800-501-1587
WWW.TRACRAC.COM

TracRac® Limited Lifetime Warranty

TracRac® Limited Lifetime Warranty

TracRac® Incorporated will warranty all TracRac® truck and van racks manufactured by TracRac® Incorporated during the time that an original retail purchaser owns the product. TracRac® will warranty all other accessories for a period of 2 years from the date of purchase. This warranty terminates if a purchaser transfers the product to any other person. To activate this warranty, the original purchaser must complete and return the Product Registration Card included with the product or complete the Warranty Registration on the TracRac® website at <http://www.shoptracrac.com/contact/register.php>, to enable TracRac® to verify original ownership.

Subject to the limitations and exclusions described in this warranty, TracRac® will remedy defects in the structural integrity of the product related to materials or workmanship by repairing or replacing, at its option, a defective product without charge for parts or labor. In addition, TracRac® may elect, at its option, not to repair or replace a defective product but rather to issue to a purchaser a refund equal to the purchase price paid for the product or a credit to be used toward the purchase of a new TracRac® product.

No warranty is given for defects caused by shipping damage, normal wear and tear, cosmetic discoloration, scratches or chips, road hazards, accidents, unlawful vehicle operations, or modification of, or any types of repair of a truck or van rack system other than those authorized by TracRac®.

No warranty is given for defects resulting from conditions beyond TracRac's control including, but not limited to, misuse, overloading, or failure to assemble, install or use the product in accordance with TracRac's written instructions or guidelines included with the product or made available to the purchaser.

No warranty is given for TracRac® products purchased outside of the United States, Canada and Mexico. In the event that a product is defective, the purchaser should contact the TracRac® Customer Service group in writing or by phone at: 994 Jefferson Street, Fall River, MA 02721 Attn: Customer Service 1 (800) 501 1587. In the event that a product needs to be returned to TracRac®, a TracRac® Customer Service Representative at the address or telephone number listed above will provide the purchaser with the appropriate mailing address and any additional instructions. Please note that the purchaser will be responsible for the cost of mailing the product to TracRac® and that proof of purchase in the form of an original purchase invoice or receipt and a detailed description of the defect must be included in the mailing.

DISCLAIMER OF LIABILITY

REPAIR OR REPLACEMENT OF A DEFECTIVE PRODUCT OR THE ISSUANCE OF A REFUND OR CREDIT (AS DETERMINED BY TRACRAC) IS A PURCHASER'S EXCLUSIVE REMEDY UNDER THIS WARRANTY. DAMAGE TO A PURCHASER'S VEHICLE, CARGO AND/OR TO ANY OTHER PERSON OR PROPERTY IS EXCLUDED.

THIS WARRANTY IS EXPRESSLY MADE IN LIEU OF ANY AND ALL OTHER WARRANTIES, EXPRESS OR IMPLIED, INCLUDING THE WARRANTIES OF MERCHANTABILITY AND FITNESS FOR A PARTICULAR PURPOSE.

TRACRAC'S SOLE LIABILITY TO ANY PURCHASER IS LIMITED TO THE REMEDY SET FORTH ABOVE. IN NO EVENT WILL TRACRAC BE LIABLE FOR ANY LOST PROFITS, LOST SALES, OR FOR ANY CONSEQUENTIAL, DIRECT, INDIRECT, INCIDENTAL, SPECIAL, EXEMPLARY, OR PUNITIVE DAMAGES OR FOR ANY OTHER DAMAGES OF ANY KIND OR NATURE.

SOME STATES DO NOT ALLOW THE EXCLUSION OR LIMITATION OF INCIDENTAL OR CONSEQUENTIAL DAMAGES, SO THE ABOVE LIMITATIONS MAY NOT BE APPLICABLE.

THIS WARRANTY GIVES YOU SPECIFIC LEGAL RIGHTS, AND YOU MAY ALSO HAVE OTHER RIGHTS, WHICH MAY VARY FROM STATE TO STATE.



Engineered to Deliver

1-800-501-1587
WWW.TRACRAC.COM

PRODUCT REGISTRATION CARD

By completing (the form on the next page or on tracrac.com) and returning your **PRODUCT REGISTRATION CARD** you will receive these important benefits:

WARRANTY CONFIRMATION:

Your prompt product registration confirms your right to the protection available under terms and conditions of your TracRac warranty.

PRODUCT PROTECTION:

We will keep the model number and date of purchase of your TracRac product on file to help refer to this information in the event of a product warranty issue.

1 First Name Initial: Last Name:

Address (number and street):

Apt number:

City:

State/Province:

Zip Code/Postal Code:

2 Phone number:

3 Email address (EXAMPLE: your name@yourhost.com):

4 Date of purchase:
Month Day Year.....

5 Purchase price: \$ _____ . ____

6 Model name: (EXAMPLE: T-Rac Pro)
.....

7 Item number: (EXAMPLE: 22940)

8 Where did you purchase this product?

- 1. Specialty auto
- 2. Home Center
- 3. Building or plumbing supply
- 4. Other
- 5. Car dealership
- 6. Website

Store name: _____

9 What event, if any, triggered the purchase of your rack?

- 1. Bought new truck
- 2. Replaced another rack
- 3. Started new business
- 4. Expanded business

10 What product features most influenced this purchase?

chase?

- 1. Style/Appearance
- 2. Brand reputation
- 3. Price
- 4. Size/weight
- 5. Portability
- 6. No drill mounting
- 7. Ease of use
- 8. Warranty

11 How did you first learn about this product?

- 1. In-store
- 2. Internet
- 3. Magazine ad
- 4. Radio/TV ad
- 5. Saw on the road
- 6. Store circular
- 7. Direct Mail
- 8. Word-of-mouth

12 Where did you go in order to gather additional information about the rack before making your purchase decision?

- 1. Store
- 2. Friend
- 3. Product website
- 4. Trade magazines
- 5. TracRac 1-800 #
- 6. No where

13 Which one of the following statements best describes your rationale for your purchase?

- 1. Received as a gift
- 2. Replaced older model
- 3. Purchased for business
- 4. Always wanted one
- 5. Other

Additional Questions on Reverse...

MAY BE COMPLETED ONLINE @ WWW.TRACRAC.COM

MAY BE COMPLETED ONLINE @ WWW.TRACRAC.COM



Engineered to Deliver

1-800-501-1587
WWW.TRACRAC.COM

MAY BE COMPLETED ONLINE @ WWW.TRACRAC.COM

MAY BE COMPLETED ONLINE @ WWW.TRACRAC.COM

14 Where do you plan to use this product?

- 1. Work
- 2. Home
- 3. Other

15 Who made the decision to purchase this product?

- 1. Yourself only
- 2. Work initiated
- 3. Someone else

16 What do you carry on your rack?

- 1. Lumber
- 2. Ladders
- 3. Sports equipment
- 3. Other

17 Do you have any suggestions as to how we can improve the product?

.....

.....

.....

.....

18 What other brands did you consider before buying

this TracRac product?

- 1. WeatherGuard
- 2. System One
- 3. Vanguard
- 4. Hauler
- 5. Thule
- 6. Cross Tread
- 7. Kargo master
- 8. Pace Edwards
- 9. None
- 10. Other

19 Date of birth:

Month Day Year.....

20 Gender:

- 1. Male
- 2. Female

21 Marital status:

- 1. Married
- 2. Single

22 Including yourself, how many people in your household?

Children: Adults:

23 Education: (Please check which category applies to you):?

- 1. Some high school
- 2. Completed high school
- 3. College degree
- 4. Graduate degree

24 Which best describes your family income?

- 1. Under \$15,000
- 2. \$15,000-\$24,999
- 3. \$25,000-\$34,999
- 4. \$35,000-\$49,999
- 5. \$50,000-\$74,999
- 6. \$75,000-\$99,999
- 7. \$100,000-\$124,999
- 8. \$125,000-\$149,999
- 9. \$150,000-\$174,999
- 10. \$175,000-\$199,999
- 11. \$200,000-\$249,999
- 12. \$250,000 or over

What else we should know:?

.....

.....

.....

.....

.....

Please Mail your completed Product Registration Form to :

TracRac Inc.
Product Registration
994 Jefferson St. Fall River, MA. 02721